

BIR

The British Institute of Radiology



News

ISSUE 1 - 2010

ISSN 1751-6994 Charity Number: 215869

Sonography | Radiology | Oncology | Radiography | Dosimetry | Physics | Health Informatics | Industry | Surgery | Radiation & Cancer Biology | Management | Molecular Imaging | Engineering | Radiation Protection | Radiochemistry | Radiobiology | Magnetic Resonance | Nursing

Image by Hugh Turvey

This issue:

• **Hugh Turvey's X-ray Vision**

• **UKRC 2010**

• **Dr P K Ganguli Obituary**

• **MRA Technology Sponsors Competition**

INDIVIDUAL MEMBERSHIP

Following the implementation of our new membership database and website in November 2009 we would like to make sure that the information we have about our individual members is correct.

Please take the time to log into your account in the 'Members Area' of www.bir.org.uk and amend any information which is incorrect. To do this, you will need your email address and password.

If you have forgotten your password or you are not sure which email address we have registered then please contact:

membership@bir.org.uk

giftaid Explained.

What is Gift Aid?

Gift Aid is a statement by an individual taxpayer that they want a charity to reclaim from the Inland Revenue the tax paid on their donations.

What does this mean?

If you tick the Gift Aid box when giving a donation The BIR can then claim back 25% of your donation amount from the taxman and the Government will give the BIR another 3%.

Does it affect my tax status?

No, not at all. Making your donation eligible for Gift Aid does not affect your personal tax situation or finances.

By doing so, do I need to disclose personal information?

No. By ticking the box and dating your form, you are merely confirming that you have paid enough tax to be eligible to Gift Aid. No further information is requested to claim back Gift Aid on your donation.

Where can I find more information about Gift Aid?

Visit the website 'Directgov'. This is the website of the UK government for UK citizens, providing information and online services for the public. The actual page concerning Gift Aid is: http://www.direct.gov.uk/en/MoneyTaxAndBenefits/ManagingMoney/GivingMoneyToCharity/DG_078490

THIS ISSUE



Page 6 & 7 UKRC 2010



We need your support...donate today!

I would like to make a single donation for the amount of.....

Name:.....

Address:.....

.....

Signature:.....

Date:.....

Gift Aid Please treat all gifts of money that I make today, have made in the past, and will make in the future to The British Institute of Radiology, as Gift Aid donations. I am a UK taxpayer.

By donating to The BIR, you will help to develop current educational projects such as:

Radiology History Stories

This project is an archive of primary source material, generated by those with direct experience of practice of radiology and radiotherapy during the development of the subject and is available to the general public.

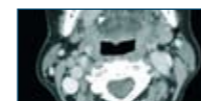
Please send your form back to: The British Institute of Radiology, Membership Officer, 36 Portland Place, London W1B 1AT, UK.



02 News on The BIR
Gift Aid and Individual Membership



04 BIR Upcoming Events
Preview of future scientific meetings



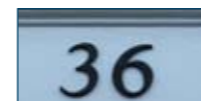
05 BJR



06 UKRC
by Erika Denton



08 BIR Branches
Wessex Regional Branch Meeting



09 36 Portland Place



10 X-ray Vision
Hugh Turvey - Artist in Residence



12 Meet a BIR Member
Marck Reeves - MRA Technology



13 Dr P K Ganguli
Plus Legacy update



14 Awards & Competitions
Great Prizes from MRA Technology



15 A Page of History
by Adrian Thomas



16 President's Column

Upcoming Events

To find out more about an event or to register please visit www.bir.org.uk

Join **Stuart Green** (BIR President) for The BIR's annual

PRESIDENT'S CONFERENCE

for 2010 **Managing Respiratory Motion in Radiotherapy**

13 - 14 May 2010

The British Institute of Radiology, London

This meeting will be of interest to all professionals working in radiotherapy and will cover clinical, technological and practical issues which relate to respiratory and other sources of motion in radiotherapy.

With support from major manufacturers The BIR has been able to bring together an excellent programme of speakers from the UK and overseas, for a meeting which should leave attendees in a strong position to return to their department and implement a programme of clinical development.

SCIENTIFIC MEETINGS

Imaging and Management of Male Urogenital Disorders

| Thursday 22 April 2010 | The British Institute of Radiology, London |

This one-day meeting covers several hot topics in the imaging and management of the male urogenital tract given by experts in these fields. Recent advances in diagnosis and management of prostate cancer will be covered. Advances in testicular and penile imaging will be presented covering the topics of infertility, erectile dysfunction, biopsy of indeterminate testicular lesions as well as novel techniques in imaging the penis and urethra.

Management of Adult Central Nervous System Tumours

| Friday 25 June 2010 | The British Institute of Radiology, London |

CALL FOR PAPERS! Presentations are invited on interesting research and audits relating to the management of primary central nervous system tumours and secondary cerebral metastases (clinical, patient support, training related, service development or technical). Presenters will receive free registration for the meeting. Deadline: Friday 6 March 2010.

Topics include: oncological management of primary CNS tumours including research, service development and novel treatments; Management of cerebral oligometastasis; Patient information and support. Interested in participating? Check out the website for more information.

Practical Cardiac Imaging

| Friday 7 May 2010 | Royal Society of Medicine, 1 Wimpole Street, London, W1G 0AE |

A joint meeting with The British Institute of Radiology

This practical cardiac imaging programme is highly relevant to all cardiac imagers. It provides information on all aspects of cardiac imaging, including cardiac MR, echocardiography, nuclear cardiology and cardiac CT.

It is a predominantly clinical and practical seminar day which will be of interest to radiologists, cardiologists, radiographers, cardiac technicians and physicists.

Paediatric Radiation Protection

| Tuesday 11 May 2010 | The British Institute of Radiology, London |

A scientific meeting organised by Mr Mike Scriven, Mr Andy Rogers and The BIR's Radiation Protection Committee on behalf of the British Institute of Radiology.

This meeting is aimed at all professional staff concerned about the radiation protection of children in the imaging department, including radiologists, radiographers and medical physicists.

The day will cover basic science, state-of-the-art practice and pitfalls to avoid. Keynote aspects include dosimetry, the law and best practice in high dose/risk areas.

Publications

BJR / April

The BJR April 2010 issue is now available online. If you haven't had the opportunity to check it out yet, here are some of the articles which can be found on <http://bjr.birjournals.org>

Advances in mammographic imaging

KJ Robson

Incidental findings in imaging diagnostic tests: a systematic review

B Lumberras, L Donat and I Hernández-Aguado

Investigation of the effect of anode/filter materials on the dose and image quality of a digital mammography system based on an amorphous selenium flat panel detector

P Baldelli, N Phelan and G Egan

Assessing heterogeneity of lesion enhancement kinetics in dynamic contrast enhanced MRI for breast cancer diagnosis

A Karahaliou, K. Vassiou, N S Arikdis, S Skiadopoulos, T Kanavou and L Costarido

Pancreatic ductal adenocarcinoma with intratumoral cystic lesions on MR imaging: correlation with the histopathologic findings

S Eon Yoon, J H Byun, K A Kim, H J Kim, S S Lee, S J Jang, Y-J Jang and M-G Lee

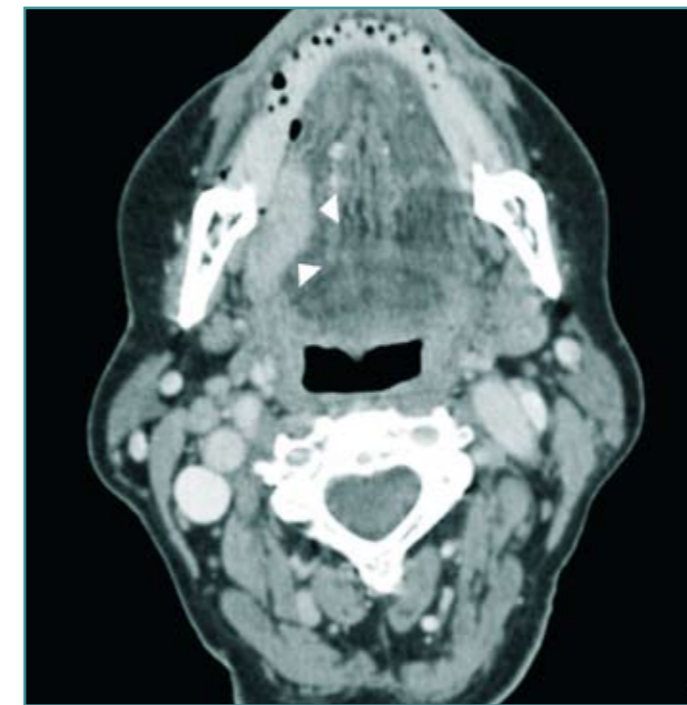
Prognostic value of coronary multi-detector computerised tomographic angiography in patients with intermediate probability of significant coronary heart disease

C S M Hay, R J Morse, G J Morgan-Hughes, O Gosling, S R Shaw, C A Roobottom

Reduction of perception error by double reporting of minimal preparation CT colon schedule for CT image guidance in treating prostate cancer with helical tomotherapy

R Murphy, A Slater, R Uberoi, H Bungay and C Ferrett

Comparison between computed tomography and clinical evaluation in tumour/node stage and follow-up of oral cavity and oropharyngeal cancer



Contrast enhancement on CT.

Stage 2 tumour at the mouth floor and base of the tongue (white arrowheads).

The patient was clinically staged as T1.

From Dentomaxillofacial Radiology, published by The British Institute of Radiology

Objectives: The aim was to verify the concordance of CT evaluation among four radiologists (two oral and maxillofacial and two medical radiologists) at the TN (tumour/node) stage and in the follow-up of oral cavity and oropharyngeal cancer patients. The study also compared differences between clinical and CT examinations in determining the TN stage.

Methods: The following clinical and tomographic findings of 15 non-treated oral cavity and oropharyngeal cancer patients were compared: tumour size, bone invasion and lymph node metastases. In another 15 patients, who had previously been treated, a clinical and tomographic analysis comparison for the presence of tumoural recurrence, post-therapeutic changes in muscles and lymph node metastases was performed. The concordances of tomographic evaluation between the radiologists were analysed using the kappa index.

Results: Significant agreement was verified between all radiologists for the T stage, but not for the N stage. In the group of treated patients, CT disclosed post-therapeutic changes in muscles, tumour recurrence and lymph node metastases, but no concordance for the detection of lymph node metastases was found between radiologists. In the first group, for all radiologists, no concordance was demonstrated between clinical and tomographic staging. CT was effective for delimitating advanced lesions and for detecting lymph node involvement in N0 stage patients. CT revealed two cases of bone invasion not clinically detected.

Conclusions: Interprofessional relationships must be stimulated to improve diagnoses, and to promote a multidisciplinary approach to oral cavity and oropharyngeal cancer. Although CT was important in the diagnosis and follow-up of cancer patients, differences between medical and dental analyses should be acknowledged.

P T Figueiredo, A F Leite, A C Freitas, L A Nascimento, M G Cavalcanti, N S Melo, and E N Guerra

Comparison between computed tomography and clinical evaluation in tumour/node stage and follow-up of oral cavity and oropharyngeal cancer

Dentomaxillofac Radiol 2010 39: 140-148.

For more information about Dentomaxillofacial Radiology, visit <http://dmfr.birjournals.org>.

As President of UKRC for 2010 and 2011 I am delighted to introduce some of the highlights of this year's conference programme. The Congress Vice Presidents, partner societies and BIR conference organisers have worked very hard to produce an excellent programme with high profile speakers from home and abroad confirmed to bring you the latest news, views and developments in medical imaging.

UKRC will once again fulfil all of your requirements for CPD and CME as well as providing stimulating speakers in areas of research and development for imaging.

Before running through our 2010 programme I would first like to confirm the dates and location for UKRC 2011. We will be returning to Manchester Central from 8-10 June 2011, be sure to mark this in your diary as once again it is set to be an event not to be missed! The 2011 VPs are already working on their programmes and Manchester Central has undergone a multi-million pound refurbishment programme, which is truly spectacular.

We are pleased to confirm that Professor Mike Richards, DH National Clinical Director for Cancer, has been confirmed to deliver an update on the Cancer Reform Strategy and the one week wait for diagnostic imaging during UKRC 2010. The session will be taking place in the exhibition lecture areas and is sure to be both popular and informative. The talk will be followed by a Q&A session with Richard Evans from the Society and College of Radiographers joining Professor Richards and myself. We have also confirmed Jim Easton who leads the Quality programme (QIPP) at DH to deliver a talk on 'the price of quality and cost of failure' within the mainstream service delivery streams.

I am thrilled that we have confirmed Lord Darzi speaking on *Innovation in Healthcare* as The BIR eponymous speaker. This is sure to be an excellent talk not to be missed.



Dr Erika Denton



Professor Lord Ara Darzi



Professor Mike Richards

The 2010 Eponymous speakers and topics have been confirmed as:

7 June

RCR Tesla Lecture - What's New in CT-CA
Professor Gabriel Krestin (Eramus Medical Centre, Rotterdam)

8 June

IPEM Mallard Lecture – Enhancement of Diagnosis using Small Angle Scattering
Professor Keith Rogers (Cranfield University)

8 June

BIR Mayneord – Innovation in Healthcare
Professor Lord Ara Darzi (Imperial College London)

9 June

COR Stripp – Multidisciplinary Working and Role Extension for Radiographers
Mrs Dorothy Keane (South Tyneside District Hospital)

9 June

COR Wellbeck – Positive and Negative Issues of Advanced Radiographic Practice
Professor Peter Hogg (University of Salford)

UKRC



NIA & ICC Birmingham, UK, 7-9 June 2010
The UK's LEADING & LARGEST imaging congress

www.ukrc.org.uk

REGISTER TODAY!

For 2010 we have introduced a free stream aimed at those early in their career. It includes the *Education & Training Scientific Session*, *History of Radiology*, *Junior Radiologists' Forum* and the *Student Scientific Session*, which incorporates the ISEG speakers sponsored by the CoR. This stream is sure to appeal to trainee members of The BIR from all disciplines.

Once again we received many strong proffered scientific submissions to the conference programme from all sectors of the medical imaging community. The addition of the student radiographer session to the programme will give many of those starting out in their careers a valuable first experience of presenting at a major event.

In 2010 the programme is grouped into themed streams. For example on Monday we have cardiac, breast and paediatric themes incorporating sessions from various disciplines, encouraging flow between clinical, service delivery, DIHI and advances streams. We understand the difficulties in taking time out to attend conferences so have concentrated the sessions in such a way that if you can only attend one day there will be a full programme of interest to you whatever your speciality interests.

The popular sunrise sessions will once again run with the digital imaging CR, DR and DM

teaching sessions throughout the conference.

There will also be body MRI schools focusing on gynae, hepatobiliary, and prostate and bladder imaging. We have deliberately repeated the sessions that were massively over subscribed last year.

On Tuesday there will be hands on workshops centred around the use of workstations and image manipulation. In the morning there will be two cardiac sessions and in the afternoon HRCT. These sessions will be held twice due to the popularity of the workshops in 2009. Once again there will be ultrasound workshops on Wednesday with a musculoskeletal focus in the morning and a head and neck session in the afternoon.

Hot topics such as forensic imaging, epilepsy and fitting and imaging sports injuries will also be included into the programme.

The new look website launched in February 2010 and is well worth a look. You can download abstracts of all the presentations taking place at the conference and plan your time using the programme planner.

Dr Erika Denton

Congress President, UKRC 2010/2011

BIR Branches

THE BIR NEEDS YOU!

The BIR needs enthusiastic BIR Members to help develop regional branches in the following areas:
London | Midlands | South East | Northern Ireland & Ireland



If you are interested in joining a regional committee please call 020 7307 1425 or email: branches@bir.org.uk

Wessex Regional Branch Meeting

30 April 2010

Queen Alexandra Hospital, Bournemouth

We have secured highly regarded invited speakers on the important and topical subjects of revalidation (Dr Tony Nicholson RCR Dean) and trauma imaging (Dr Paula Richards). These will be interspersed with varied and interesting presentations from professionals involved in radiology by abstract application. There is also potential for poster presentations also by abstract application, to be viewed over lunch and afternoon tea. This meeting is free to attend to all BIR members.

For a full programme and how to register please visit www.bir.org.uk

TRAINEE TALK

At the end of 2009, The BIR focused its attentions on establishing The BIR **Trainee Committee** to represent its trainee members. Applications were invited from trainees across the country and following a competitive interview process the successful applicants were appointed to the following positions:

Chair:
Rajat Chowdhury (*Specialist Registrar in Clinical Radiology*)

Vice Chairs:
Elizabeth Morris (*Trainee Medical Physicist*)
Avnesh Thakor (*Specialist Registrar in Clinical Radiology*)

Secretary:
Daniel McGowan (*Trainee Clinical Scientist*)

Membership and Events Coordinator:
Amrita Kumar (*Specialist Registrar in Clinical Radiology*)

BIR e-Learning Development:
Jeremy Jones (*Specialist Registrar in Clinical Radiology*)

Committee Members:
Jenny Harvey (*Trainee Diagnostic Radiographer*)
Victoria Taylor (*F2 Doctor*)
Catriona Farrell (*Specialist Registrar in Clinical Radiology*)
Iosif Mendichovszky (*Specialist Registrar in Clinical Radiology*)

It became clear from the very start that this was an extremely dynamic group of talented and enthusiastic young multidisciplinary professionals and The BIR selectors had delivered what they had promised – a team to steer The BIR securely into the future. Our first committee meeting was overflowing with thought showers from the simplest of ideas to enrich a trainee's educational and professional experience to plans of world domination!

This democratic committee will work intimately with The BIR's other committees to target the needs of trainees' career development

and create and advertise opportunities. The primary focus areas include the promotion of trainee education, research, multidisciplinary collaboration, and the sharing of knowledge and understanding.

The launch project for the new committee is a scientific meeting on 10 December 2010 called *Training and Beyond* and will address topical and controversial issues surrounding training and practice. Some of the speakers who have already enthusiastically signed up for the day include: Prof Andy Adam (President of the Royal College of Radiologists), Dr Adam Waldman (RCR Roentgen Professor), Mr Matthew Kershaw (CEO of Salisbury NHS Foundation Trust), Dr Nicola Bees (Medical Director for the UK Telemedicine Clinic), GMC Revalidation Committee Representative and Dr Klaus Irion (International Radiologist).

There will be a prime opportunity for trainees to present scientific and audit posters at this national meeting and the best presentations will win a BIR prize. The day will also introduce the never-seen-before **BIR Radiology Challenge** – a quiz competition based on the **BBC's University Challenge** programme and will involve elimination rounds of delegate teams until a winning team is crowned.

We shall conclude the day with The BIR Trainee Christmas bash. This will be the perfect networking and socialising evening for all delegates and other guests to kick start the festive season and share their inspired ideas for their New Year radiology resolutions!

The Trainee Committee is looking forward to becoming the face of The BIR and to that end wants to encourage all its trainee members to get actively involved in BIR activities and utilise its golden resources. Current Trainee Committee projects include the STEMNET (Science, Technology, Engineering and Mathematics Network) Ambassador Programme to inspire children and young people in STEM subjects.

Trainee Membership remains free of charge and we aim to increase the size of the trainee body. This will ensure we are appropriately representing the trainee community and thereby help to steer The BIR in a direction so that it is fit for purpose. We therefore welcome all suggestions and ideas for consideration by the Trainee Committee and consequently hope to provide a first class body for trainees at every stage of their career.

Rajat Chowdhury

36 PORTLAND PLACE

Portland Place, the grandest street of eighteenth century London, was laid out by the famous Adam brothers, Robert and James, from 1778. It was named after the ground landlord, the Duke of Portland. It was the widest London street of its day.

[Extract from an article by G.H. du Boulay - 1982]

In 1977 The British Institute of Radiology moved in.

"We knew that The BIR could only stay in 32 Wellbeck Street, its home for over 50 years, at great financial cost and we believed that The BIR and the Royal College ought to be side by side for mutual support and the convenience of all their members. We did not think that we could appeal successfully for money, either to BIR members or outside friends and trusts, simply to stay where we were. There was a great deal more to discuss and many subsidiary pros and cons, but the overwhelming weight of these simple arguments convinced us that we had to acquire and refurbish 36 Portland Place if that was humanly possible.

With not enough money in the bank and our charitable backers in doubt about our reliability, the Bernard Sunley Foundation offered us the essential cash, £150,000, to let us sign the contract and begin the next step. In their honour the library, now to be in the splendid Adams Rooms on the first floor, is named The Bernard Sunley Library.

As a learned society, and particularly as a multidisciplinary one, I believe that it should have the following functions. One is education in its broadest sense, and in this it is already very active, especially successfully so in the publishing field where it hopes to do so even more. Probably a greater proportion of the teaching meetings might benefit from the multidisciplinary background of the Institute. We do not want to compete with Royal College or the Royal Society of Medicine, but to play a complementary role.

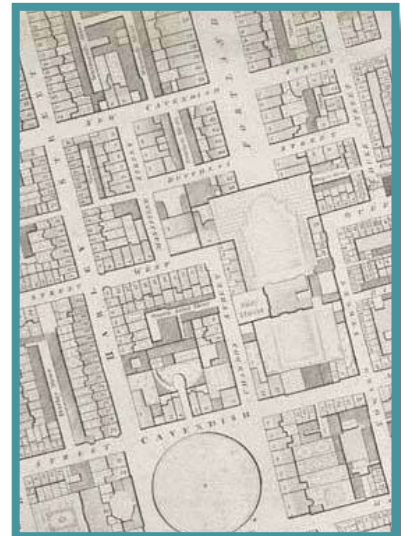
The other function has some of the characteristics of education and research. It is centred on discussion of current and future medical and scientific problems; it may be informal or structured in the context of working parties set up with the onus of preparing reports. From such discussions come both teaching material and indications for actual research. The BIR must not neglect its duty to continue to encourage the formation of these working parties whenever a problem appears that might benefit from the pooling of knowledge."

Today the building is listed and classified as a grade II* listed building.

The British Institute of Radiology boasts a range of fully equipped meeting rooms and the Siemens Lecture Theatre. Rooms are available to hire from just £88.

For more information please visit www.bir.org.uk

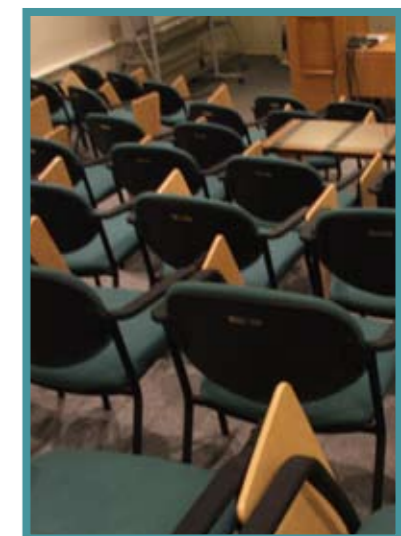
36 Portland Place



Portland Place is the wide street at the top of this 1790s map



The Bernard Sunley Library



The Siemens Lecture Theatre

HUGH'S X-RAY VISION

The British Institute of Radiology welcomes its new artist in residence.

Hugh Turvey trained as a designer / art director but on discovering photography he retrained under iconic photographer Gered Mankowitz. During 1996 /1997 he started experimenting with X-ray/shadow photography after being asked to create an alternative 'revealing' image for an album cover. With the encouragement of the Science Photo Library he went on to produce an extensive series of coloured X-rays of everyday objects, which were first published on the 4th April 1999 in *The Observer Magazine, LIFE, UK*. In the same year Credit Suisse discovered Hugh's X-ray vision and commissioned six ground breaking 'motion X-ray' European TV commercials. To date his work features in many international advertising campaigns, publications and collections worldwide. The most recent three week solo exhibition (Oxo Gallery London, November 2009) was entitled *X-perimentalist*. It was a phenomenal success and attracted over 8,500 visitors.



Hugh Turvey

Hugh's X-ray vision

"I use X-rays to produce compelling images, which are of familiar and in between spaces. There is a comic fantasy of 'X-ray specs'. The idea that by just wearing special glasses an ordinary person can reveal a hidden truth...this is just an awe inspiring idea...even for a 38 year old like me. This concept of 'truth revealed' is one of the simplest structures in storytelling and the fun for me is discovering this hidden character in sometimes the most unlikely places. I share with the medical staff share an interest in the semiotics of images and the way that the creative manipulation of images could be used to educate patients and demystify complex investigations."

“There is a comic fantasy of 'X-ray specs'.”

Residency in Parallel at the BIR and YDH

Hugh's residency at The BIR will enable him to access historical collections, libraries, establish a permanent exhibition at The BIR and he will explore the creative potential in the area between medical knowledge, the use of X-ray and the image's power to communicate. He hopes to de-mystify the processes and technology used in diagnostics, to help engage the public and to increase their understanding of the science. He will work closely with the marketing and events manager to develop the ideas further and decide on the best way to disseminate it more widely.

As artist in residence at NHS Yeovil District Hospital (YDH) Hugh will collaborate with a senior radiographer and a consultant radiologist (project title: The Inner Eye) to explore the potential for using imaging equipment to help engage patients in understanding the interventions they experience. Patients and staff will attend sessions with Hugh to explore the creative potential of the equipment.

Exhibitions in 2010 include:

Kinetica Art Fair
P3 Gallery, 35
Marylebone Road,
London
February 2010

The British Institute of Radiology 'President's Conference' and then to remain as a permanent exhibition.
The British Institute of Radiology, 36 Portland Place, London
13-14 May 2010

The British Institute of Radiology to exhibit work at the UK Radiological Congress, **National Indoor Arena (NIA) + The International Convention Centre (ICC)**, Birmingham.
June 2010

The Royal Horticultural Society for the 'BBC Gardeners' World Live' **NEC, Birmingham**
16-20 June 2010

Oxo Gallery (London – October, TBC) A prestigious gallery exhibition pending sponsors and the cooperation of the Oxo Tower owners to illuminate the 'X' on the tower at night (a marketing opportunity not to be missed!).



Images by Hugh Turvey

Meeting BIR Members

The BIR's corporate subscribers work in many and various sectors of the imaging field. In this edition Mark Reeves gives us an insight into what is happening in MRA Technology today.

MRA KEEPS IT SIMPLE

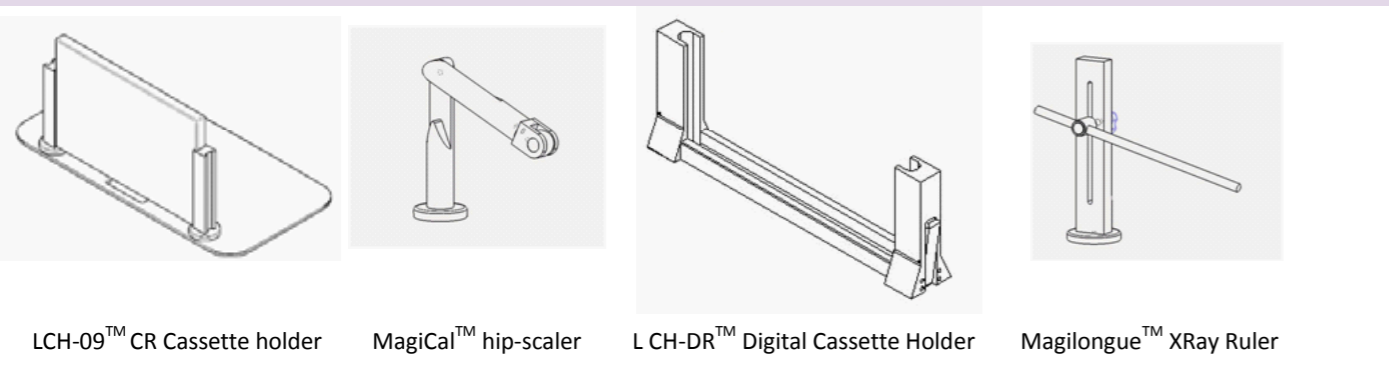
MRA Technology is a versatile and agile technology consultancy, which also designs, manufactures and markets the MRAY™ range of innovative lateral cassette holders and orthopaedic templating / scaling accessories.

MRA Technology products are designed to be tough, hygienic, versatile and simple to use. This is achieved by engaging with radiographers and using sound engineering design and usability principles. The unique patented magnetic positioning systems allow for precise and versatile cassette positioning, which allows all components to be hygienically shielded in bags for emergency or surgical applications.

The current MRAY™ product range includes:

- LCH-09 lateral cassette holders for emergency C-spine, paediatric chest, barium enema and a range of horizontal beam orthopaedic work
- MagiCal™ hip-scaling ball and manipulator to provide magnification calibration with improved patient dignity and ease of use
- MagiLongue™ long-length ruler with stable and accurate manipulator to place the ruler at any height and angle
- LCH-DR direct digital cassette holders for 'cabled' or 'wireless' digital cassettes. Very stable, but with ease of positioning using a patented 'switchable' magnetic clamping system

These devices are now used in many orthopaedic, emergency and GI radiography departments across the UK and Europe. They have also found application in the developing world where they help to add value to simple low-cost X-ray installations.



MRA Technology are always open to enquiries for custom products, and are the perfect engineering development partner for NHS / University / TSB medical device development projects. See us at www.mray.co.uk for radiography products and www.mratechnology.co.uk for medical device consulting services.

Contact details:

Dr Mark Reeves (MD)

MRA Technology Ltd, Clarendon Enterprise Centre, 2nd Floor, Prama House, Banbury Road, Oxfordshire, OX2 7HT

Tel: 01865 339354 / Mobile: 07880 966341

Fax: 01865 339301

Email: info@mray.co.uk



Obituary - Dr P K Ganguli

OBITUARY

DR P K GANGULI (1925-2009)

Dr Prafulla Kumar Ganguli was born on the 21st December 1925 in Calcutta, India. His father was a sports writer for a Calcutta newspaper, but it was his grandfather, a headmaster of a local school, who encouraged the young Prafulla to aim for a university education and a career in medicine. He attended the Mitra Institution in Calcutta from where he went to the University of Calcutta. He trained at the RG Kar Medical College and Hospital in Calcutta. He obtained the DMRD (Liverpool) in 1953 and DMRT (Liverpool) in 1954. Following a period of postgraduate experience he came to Britain in 1958. He is said to have arrived in the UK with just £75 in his pocket. His UK training in radiology was with Professor Bill Whittaker in Liverpool.

He worked in the main hospital in Burnley, Lancashire (since demolished) from where he moved to Llwynypia Hospital in the Rhondda Valleys of South Wales and then to East Glamorgan Hospital in January

1962 where he remained until his retirement in December 1990. He published a text book *Radiology of Bone and Joint Tuberculosis* in 1964.

He was a member of The BIR for more than 50 years, first joining in 1953. At that time the entrance fee was one guinea and the annual subscription four guineas. He was a member of the South Western, Northern and Welsh Branches of The BIR during his career. He was elected a Fellow of the Royal College of Radiologists in 1989.

Dr Ganguli married Manjula in 1961. She predeceased him in 1998. There were no children. Outside Radiology he had few interests and lived quietly in his retirement years.

Dr Ganguli kindly left a generous legacy to The BIR in his will.

Stephen G Davies
February 2010

LEGACY GIVING

Why leave a legacy to The BIR?

Leaving a gift to charity in your will is an amazing way for your generosity to last beyond your own lifetime.

The BIR is building up its fundraising capacity to raise sufficient capital to undertake a number of projects that will benefit its current and future members. These projects include the provision of online CPD to practising members and increasing the availability of the library's resources via the internet. Such initiatives are expensive to deliver and cannot be achieved without securing additional external funds. There are also tax advantages of leaving a legacy to charity.

Thanks to your generosity, The BIR will be able to continue to ensure that the potential of image science and radiation technology to prevent, detect and combat disease is fully realised. Indeed, the BIR believes in the importance of research and education, and promotes collaboration and the sharing of knowledge and understanding.

More information

A leaflet enclosed with the newsletter gives you more information about legacies. If you wish to know more about the BIR's fundraising projects, please visit: <http://www.bir.org.uk/bir-about-us-home/fundraising.aspx>

Awards & Competitions

A Page of History

The BIR recognises outstanding achievements in the field of radiology through its annual presentation of **awards and prizes**.

AND THE WINNER IS...

This year's President's Conference is fast approaching and The BIR is preparing to welcome its most recent award winners.

Dr Christopher Nutting, winner of the MacKenzie Davidson Memorial Lecture, and Prof Bleddyn Jones, winner of the Godfrey Hounsfield Memorial Lecture, will be joining BIR President Stuart Green on the day.

If you would like to find out further details about The BIR's eponymous lectures or any other awards the please visit: www.bir.org.uk

Details about the eligibility criteria and nomination process for each of these honours are also available.

Awards and prizes includes:

- Honorary Membership
- Eponymous Lectures
- BJR Awards
- GE Healthcare (Medical Diagnostics) Fellowship
- Leonard Levy Memorial Prize
- UKRC Award
- Nic McNally Prize for Cancer Research
- Philips Travel Fellowship in Nuclear Medicine
- Stanley Melville Memorial Award

WIN BAD SCIENCE BOOKS!

Donated by MRA Technology

For the first issue of BIR News for 2010 MRA Technology Ltd has very kindly donated five copies Ben Oldacre's book Bad Science and five £10 book tokens.

Five winners! How do I win this prize?

Very easy! Get your pen, read through the newsletter carefully and reply to the questions below.

Send your answers to marketing@bir.org.uk with your name and contact details by **Monday 10 May 2010**. This time there will be **FIVE** lucky winners. So don't wait any longer and send your answers now!

Question: Which date is The BIR's Practical Cardiac Imaging scientific meeting being held on?



Winner of the Winter BIR Newsletter prize - Congratulations to Sally Perry and Dr Nishat Bharwani

SUDOKU FUN!

Logic-based, combination number placement puzzle. The objective is to fill a 9x9 grid so that each column, each row and each of the nine 3x3 boxes (also called blocks or regions) contain the digits from 1 to 9 only once.

Completed puzzles are usually a type of Latin square with an additional constraint on the contents of individual regions. Leonhard Euler is sometimes incorrectly cited as the source of the puzzle, based on his related work with Latin squares.

5			6	1			8	
1	4		3					6
							1	4
		5		7		3	1	
	2	1		5		4		
	9	7						
8					7		3	4
	1		4	6				9

(Source: Daily Sudoku)

FAMOUS FIGURES: SURGEON-MAJOR BEEVOR



With British forces currently in service in Afghanistan it is interesting to remember the work of Walter Caverley Beevor (1858-1927) in the campaign of General Lockhart in Tirah in 1897. Tirah is on the North-West Frontier between India and Afghanistan. Beevor had been attached to the Brigade of Guards and had obtained permission to go out to India for a year. He had brought with him his Röntgen/X-ray apparatus which he had bought at his own expense from AE Dean in Hatton Gardens in London. Beevor joined a field hospital and was able to use his apparatus. He had purchased three X-ray tubes and using them was able to show the position of bullets that could otherwise not be found. The X-rays were also thought excellent when negative results were found and the presence of any foreign substance was excluded. Because of the long distance between the sites of conflict and the base hospitals the army surgeons carried out more operations close to the front line. That Walter Beevor could take his primitive apparatus to such a remote location is quite remarkable. It was concluded that the use of X-rays alleviated the sufferings of many wounded men and preservation of many limbs and that a Röntgen Ray apparatus "would seem to be a very great addition to the medical equipment of a force." This view was soon to take place and continues today in the work of military radiographers and radiologists who continue to treat our wounded soldiers.

Reference: Shadwell, L.J. "Lockhart's Advance through Tirah." W Thacker, London (1898)
 Adrian Thomas, Honorary Librarian
adrian.thomas3@nhs.net
 Figure: Martini-Henri bullet in an elbow.

VISIT OF THE BIR TO THE RÖNTGEN MUSEUM IN GERMANY



"I am delighted to announce that The BIR will be visiting the Röntgen Museum in Germany later this year. The Deutsches Röntgen-Museum <http://www.neues-roentgen-museum.de/> is located in Remscheid (Lennepe) and celebrates the birthplace of Wilhelm Conrad Röntgen who discovered the X-rays in 1895. There has recently been a major redevelopment of the museum under the skilful hands of Uwe Busch who is the museum's deputy-director (and also a BIR honorary member). I visited the museum after the first part of the redevelopment was completed and was very impressed. The second part of the redevelopment was opened this January. The museum is innovative with many modern exhibits and I would strongly advise a visit. The museum has a huge collection of material relating to X-rays, radiology and Wilhelm Röntgen. The old town of Lennepe is quite charming and is worth a visit in its own right.

The visit is planned for the 5-7 November 2010. The flight to Düsseldorf on the Friday morning will take about an hour and we would be met at the airport by a coach that would take us to the museum, arriving in time for lunch. The afternoon and evening would be spent visiting the museum and hearing several talks. We can visit the museum and the old town of Lennepe on the Saturday and local trips can be arranged. We will return to the UK on the 7th leaving after breakfast.

Places are limited to 50 and I would advise early application to avoid disappointment. Please contact me for further details."

Adrian Thomas, Honorary Librarian
adrian.thomas3@nhs.net

BIR 2010, THE YEAR AHEAD

Writing this column provides a regular opportunity for me to reflect on the life of The BIR. I am very pleased that the Institute is regaining its focus and confidence, as our major activities feel the benefits of the investments we have made.

I hope you are all finding the new website and associated functions to be a great improvement. Online meeting reservations are working well and online book purchasing will be available soon. Further investments during this year will transform the British Journal of Radiology and see a completely new look BIR News for you to enjoy. I would like to thank you for the time you took responding to surveys for the BJR developments, the results of which are guiding our Publications Team as they make these changes.

The Institute is the crucial forum through which we develop our subject, regardless of professional dividing lines and in fact celebrating the different perspectives offered by different professions. The world of radiology and radiotherapy has mainstream and niche areas. I have spent most of my life working in niche areas and have come to realise how important these can be for the Institute.

Sometimes a niche develops and our whole field changes.

It seems that proton radiotherapy (the subject of my President's Conference in 2009) is in the process of making a transition from niche to mainstream, and I'm very pleased that The BIR is playing a leading role in this through our new Particle Therapy Working Group, which Bleddyn Jones has agreed to chair. Another niche area is molecular radiotherapy, and we will shortly publish a fascinating and highly revealing report on UK practice in this area. Our team, led by Glen Flux, have uncovered what they refer to as the "radionuclide raffle", where variations in access and practice to these treatments vary enormously across the country. Look out for the report, which will be published later this year.

Scientific meetings are very much on my mind and my second President's Conference will be on one of the major R&D areas in radiotherapy at present, that of managing motion, particularly respiratory motion. I have had great support from the industry sector which has enabled me to bring together a really excellent set of speakers. I am enormously grateful for this and am looking forward to what promises to be a great meeting - I hope to see you there.

Numbers seem to have played a central role so far in my presidency. These have been statistics on membership renewals, meetings attendance and lots of financial data.



A recent number that is of great importance to us is 135 – the number of members who have so far completed Gift Aid forms in respect of their membership subscriptions. This is of very significant value to the Institute and my thanks go to all those who have agreed so far - and encouragement to those who have not quite come around to doing this yet. However, perhaps the most important number for me so far this year, is not connected with the Institute, and is 4lbs 6oz, which is the little bundle (Anna) who arrived on the 9th of January and has already changed our lives.

Stuart Green

President

 **Letters to the President:**
admin@bir.org.uk



BIR News is published by
The British Institute of Radiology,
36 Portland Place, London W1B 1AT
T: +44 (0)20 7307 1400
F: +44 (0)20 7307 1414
www.bir.org.uk

All opinions expressed in the BIR News are those of the respective authors and not the British Institute of Radiology.

Honorary Editors: Sue Marchant, Simon Blease

Managing Editor: Tina Giddings

Contributing Editor: Dr Adrian Thomas

Registered Charity No. 215869